



TECHNICAL DESCRIPTION



MD 530G HELICOPTER

MD Helicopters, Inc.
Marketing and Sales
4555 E. McDowell Rd.
Mesa, AZ 85215
480-346-6130
www.mdhelicopters.com
sales@mdhelicopters.com



MISSION PROVEN. CHALLENGE READY.

TECHNICAL SPECIFICATIONS

PRELIMINARY

MD 530G HELICOPTER

This Technical Description includes information and intellectual property that is the property of MD Helicopters, Inc. (MDHI). It provides general information for evaluation of the design, equipment, and performance of the MD 530G helicopter. The information presented in this Technical Description does not constitute an offer and is subject to change without notice. This proprietary information, in its entirety, shall not be duplicated, used, or disclosed—directly or indirectly, in whole or in part—for any purpose other than for evaluation. MD Helicopters, Inc. reserves the right to revise this Technical Description at any time.

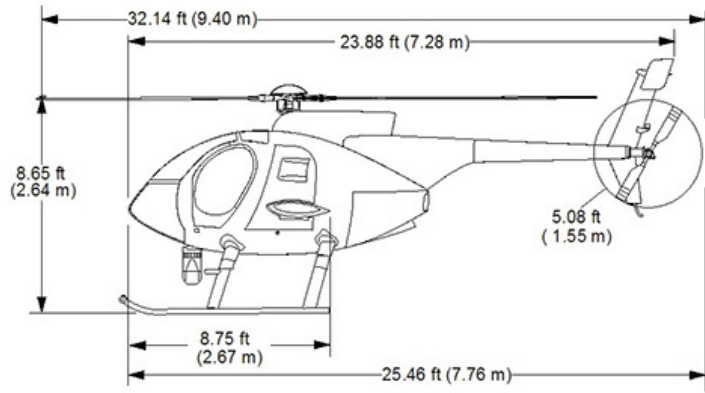
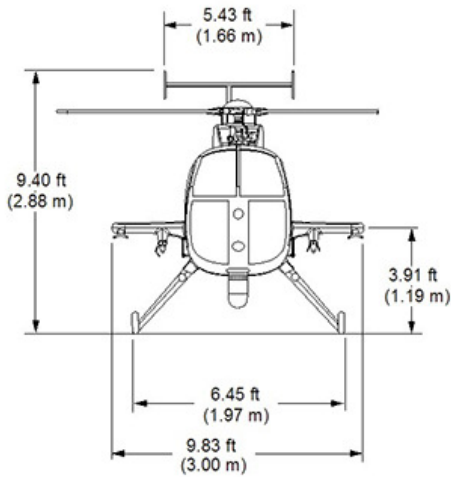
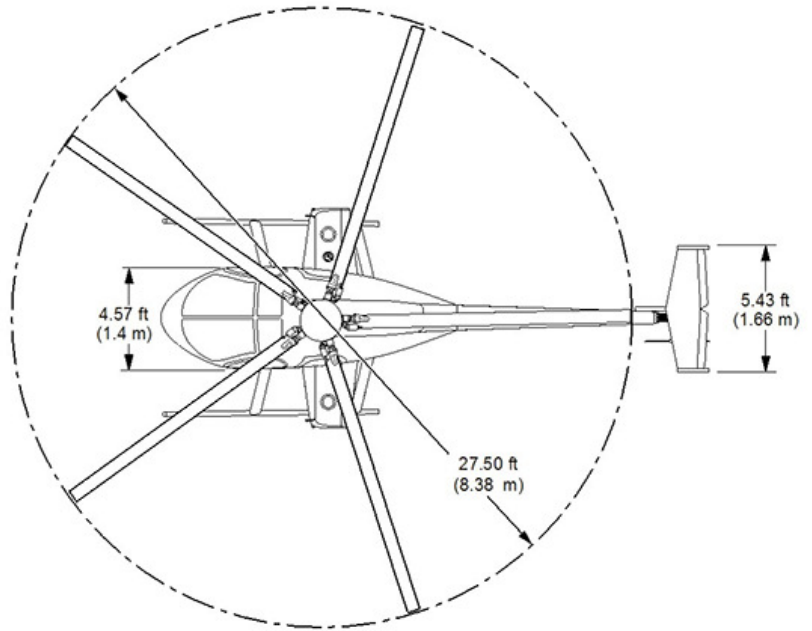
MD 530G - Technical Specifications*

<i>Performance</i>	<i>Condition</i>	<i>Imperial</i>	<i>Metric</i>
Max Cruise Speed	KTAS Sea Level ISA	110 kt (154 mph)	204 km/hr
Max Permitted Speed	VNE (KCAS) at Sea Level	152 kt (175 mph)	282 km/hr
Range	Sea Level, ISA	230 nm (265 mi)	426 km
Endurance w/ aux fuel tank	Sea Level, ISA	2.5 hr	2.5 hr
Rolls-Royce 250- C30 Engine		650 shp	485 kw

<i>Weights</i>	<i>Imperial</i>	<i>Metric</i>
Empty Weight	1,850 lbs	885 kg
Useful Load	1,900 lbs	816 kg
Maximum Internal Gross Weight	3,350 lbs	1520 kg
Maximum Takeoff Gross Weight	3,750 lbs	1701 kg

*Current specifications are estimates, pending the completion of flight test and program development.

MD 530G - Dimensions



USE OR DISCLOSURE OF DATA IN THIS TECHNICAL DESCRIPTION IS SUBJECT TO THE RESTRICTION ON THE COVER PAGE

MDHI Proprietary