



TECHNICAL BULLETIN

DATE: 17 MARCH 1999
PAGE 1 OF 5

MODIFICATION LANDING/HOVER LIGHT RELOCATION

1. PLANNING INFORMATION

A. Aircraft Affected:

All MD Helicopters, Inc. (MDHI) MD900 helicopters, serial number MD900-00002 thru MD900-00051.

B. Assembly/Components Affected By This Notice:

Hover/Landing Light Installation, P/N 900E7750005-101.

C. Reason:

Operators may desire to modify their rotorcraft to the updated landing/hover light configuration.

D. Description:

Procedures in this Bulletin provide owners and operators with information pertaining to modifying their rotorcraft for an updated landing/hover light installation. The 900E7750005 Hover/Landing Light Installation uses different mounting brackets than previous installations, to provide for greater mounting angle of the hover and landing light assemblies.

E. FAA Approval:

The technical design aspects of this Bulletin are FAA Approved.

F. Manpower:

Eight (8) manhours.

G. Time of Compliance

Optional, at the discretion of the owner/operator.

H. Classification:

Compliance with this Bulletin is a minor alteration.

I. Points of Contact

For further assistance, contact your local MDHI Field Service Representative (refer to the latest revision of the "At Your Service" handbook for address and telephone numbers) or contact the Field Service Department at MDHI, Mesa, Arizona. Telephone 1-800-388-3378 or (480) 891-6342. DATAFAX: (480) 891-6782.

J. Interchangeability:

None

K. Material/Part Availability:

Contact MDHI Part Sales Dept.

REPLACEMENT PARTS/SUPPLIES			
Nomenclature	Part No.	Qty.	Source
1) Bracket Assembly, Landing Light	900E2750260-101	1	MDHI or Commercial
2) Bracket Assembly, Hover Light	900E2750261-101	1	MDHI or Commercial

DATE: 17 MARCH 1999
PAGE 2 OF 5

TECHNICAL BULLETIN

REPLACEMENT PARTS/SUPPLIES (Cont.)			
Nomenclature	Part No.	Qty.	Source
3) Bracket Assembly, Adjust	900E2750262-101	2	MDHI or Commercial
4) Screw	NAS1096-3-8	8	MDHI or Commercial
5) Washer	AN960JD10L	8	MDHI or Commercial
6) Grommet	MS35489-141	1	MDHI or Commercial
7) Tape, Polyethylene	HMS16-1029*T3C2 2 in (5.08 mm)	24 in (61 cm)	MDHI or Commercial
8) Cable, Power, Electrical	M27500-12SP2U00 (RM013601)	120 in (305 cm)	MDHI or Commercial
9) Cable, Power, Electrical	M27500-20SP2U00 (RM013611)	120 in (305 cm)	MDHI or Commercial
10) Terminal, Lug, Crimp	MS25036-153	2	MDHI or Commercial
11) Terminal, Lug, Crimp	MS25036-156	2	MDHI or Commercial
12) Sealant	MIL-S-8802*C B1/2 (RM016087)	1 oz (28 g)	MDHI or Commercial
13) Adhesive, epoxy	HMS16-1068*C1 (RM000150)	1 oz (28 g)	MDHI or Commercial
14) Heat Shrinkable Sleeving	M23053/5-106-0 (RM002445)	1 in (2.54 cm)	MDHI or Commercial

L. Disposition of Parts Removed

Scrap

M. Warranty Policy:

N/A

N. Tooling:

N/A

O. Weight and Balance:

Hover/landing light installation, external, 0.92 lbs at FS 240.62.

P. Electrical Load Data:

N/A

Q. Other Publications Affected:

Rotorcraft Maintenance Manual (CSP-900RMM-3), and Illustrated Parts List (CSP-900IPL-4).

TECHNICAL BULLETIN

DATE: 17 MARCH 1999

PAGE 3 OF 5

2. ACCOMPLISHMENT INSTRUCTIONS

(Ref. Figure 1)

NOTE:

- It is not necessary to remove airframe attached brackets.
 - Check wiring harness for sufficient length prior to replacing wires.
 - Landing light window may be painted to match aircraft.
- (1). Remove hover/landing light from aircraft (Ref. CSP-900RMM-3). Retain hardware and wiring harness.
 - (2). If necessary disassemble wiring harness and replace wires with longer conductors (Ref. CSP-900RMM-3).
 - (3). Remove nutplate located at approximately FS 149.6 and LBL 1.4.
 - (4). Enlarge hole of removed nutplate to 0.5 in (12.7 mm) and blend in rivet holes. Deburr hole.
 - (5). Install MS35489 grommet into hole. Install with HMS 16-1068 adhesive.
 - (6). Install wire harness to external power box and route through grommet. Route with and secure to existing wire harness.

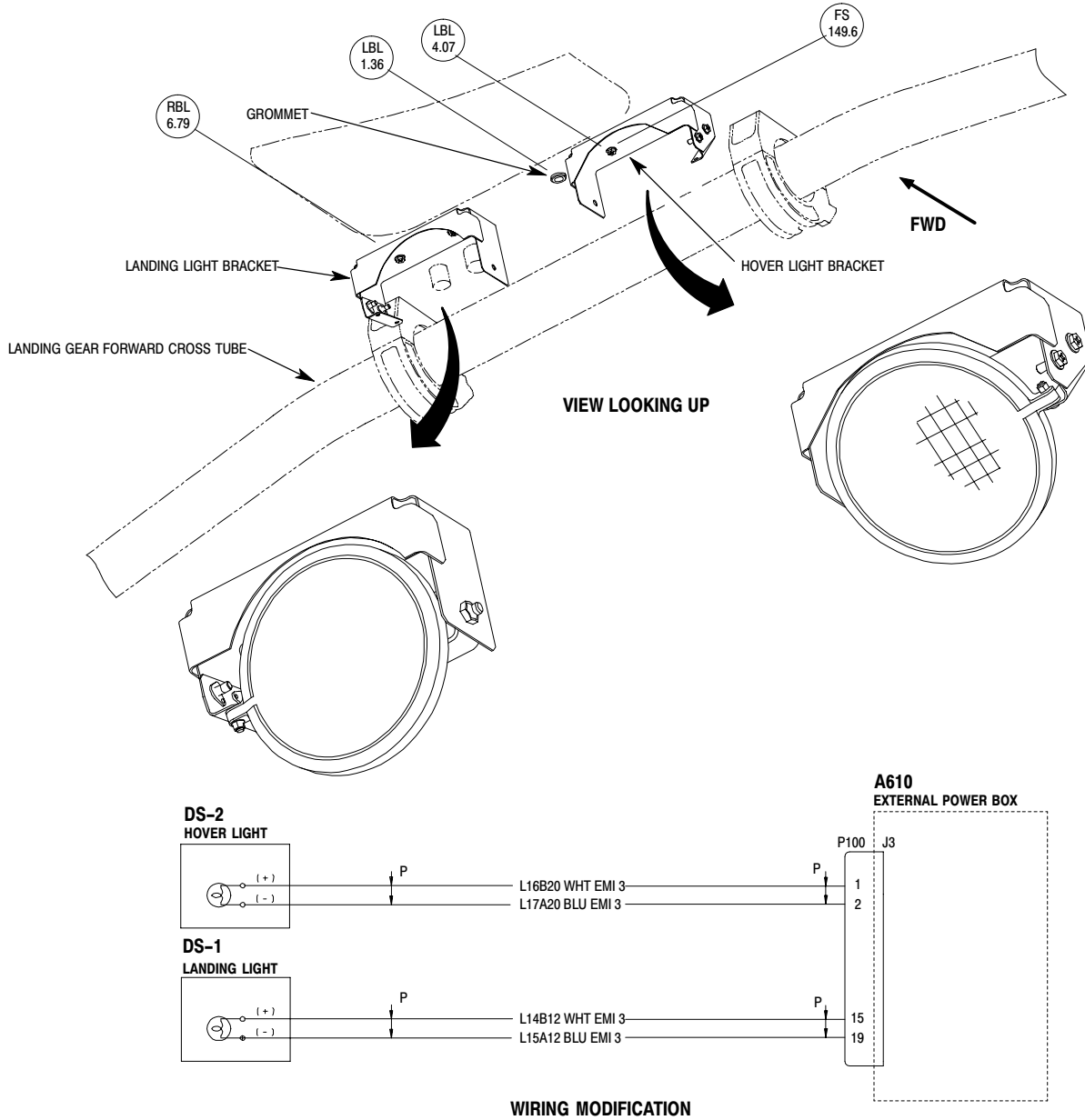
Sealing Compound (C205)



- (7). Environmentally seal grommet with MIL-S-8802 (Ref. CSP-SPM).
- (8). Apply polyethylene tape to 900E2750260 landing and 900E2750261 hover light bracket assemblies to fuselage faying surface.
- (9). Install landing and hover light bracket assemblies using 4 ea. NAS1096 screws and AN960JD washers. Install screws into existing nutplates and align bracket assemblies with butt line of aircraft. Torque screws (Ref. CSP-900RMM-2).
- (10). Attach two 900E2750262 adjustment bracket assemblies to the landing and hover light assemblies with 4 ea. NAS1096 screws and AN960JD washers. Do not torque hardware at this time.
- (11). Remove brackets from and disassemble both light assemblies and retain hardware.
- (12). Install light assemblies into mounting and adjustment brackets using retained hardware. Do not torque hardware at this time.
- (13). Shrink 0.5 in (12.7 mm) heat shrinkable sleeving onto hover light wiring to align with housing grommet when bulb is installed.
- (14). Route wires through light housings, connect wires to bulbs, and install bulbs.
- (15). Adjust landing light to 13° □ .5° in relation to aircraft waterline. Torque hardware (Ref. CSP-900RMM-2).
- (16). Adjust hover light to 36° □ 1° in relation to aircraft waterline. Torque hardware (Ref. CSP-900RMM-2).

DATE: 17 MARCH 1999
 PAGE 4 OF 5

TECHNICAL BULLETIN



9B96-124

Figure 1. Modification, Hover/Landing Light

- (17). Record compliance to this Service Bulletin in the Compliance Record section of the Rotorcraft Log Book.

