



SERVICE BULLETIN

DATE: 23 JULY 1997

PAGE 1 OF 3

/// MANDATORY ////////////////////////////////////// MANDATORY ////////////////////////////////////// MANDATORY ///

CABIN ENTRY/EGRESS STEP MODIFICATION

1. PLANNING INFORMATION:

- A. Aircraft Affected: All McDonnell Douglas Helicopter Systems (MDHS) MD900 Series Helicopters, serial numbers 00002 thru 00051.
- B. Assembly/Components Affected by this Notice: Cabin Step Installations, P/N 900F7301000-101 and 900F7301010-101.
- C. Reason: Based on field reports, MDHS has improved the design of the cabin step assembly. This redesign will provide a step that is greater in size, thus allowing for increased footing during cabin entry/egress.
- D. Description: Procedures in this Bulletin provide owners and operators with information pertaining to modifying or replacing the cabin entry steps.
- E. FAA Approval: The technical design aspects of this Service Bulletin are FAA Approved.
- F. Manpower: One (1) man-hour to install the step assembly modification.
- G. Time of Compliance: The requirements of this Bulletin shall be accomplished no later than 31 December 1997.
- H. Interchangeability: None
- I. Material/Part Availability: Contact MDHS Warranty and Repair Dept.

REPLACEMENT PARTS/SUPPLIES			
Nomenclature	Part No.	Qty.	Source
Cabin Step Modification Kit	900F5301000-101	1 or 2 (A/R)	MDHS
Cabin Step Modification Sub Assembly	900F5301000-103	1 or 2 (A/R)	Contained in the above -101 kit.
Step Plate	900F5301000-3	1	Contained in the above -103 sub assembly.
Angle Support	900F5301000-5	2	Contained in the above -103 sub assembly.
Tape, Pressure Sensitive, Non-Slip	900F5301000-7	A/R	Contained in the above -103 sub assembly.
Rivet	NAS139804-3 or Alt:NAS1919B04-03	43	Contained in the above -101 kit.

/// MANDATORY ////////////////////////////////////// MANDATORY ////////////////////////////////////// MANDATORY ///



DATE: 23 JULY 1997
PAGE 2 OF 3

SERVICE BULLETIN

MANDATORY

J. Warranty Policy: MDHS will provide parts and materials at no cost to the operator.

K. Tooling:

L. Weight and Balance: N/A

M. Electrical Load Data: N/A

N. Other Publications Affected:

2. ACCOMPLISHMENT INSTRUCTIONS:

A. Install cabin step modification sub assembly as shown in Figure 1.

3. DISPOSITION OF PARTS REMOVED:

N/A

4. COMPLIANCE RECORD:

Record compliance to this Service Bulletin in the Compliance Record section of the helicopter Log Book.

POINTS OF CONTACT: For further assistance, contact your local MDHS Field Service Representative (refer to the latest revision of the “*At Your Service*” handbook for address and telephone numbers) or contact the Field Service Department at MDHS, Mesa, Arizona. Telephone: 1-800-388-3378 or (602) 891-6342. DATAFAX: (602) 891-6782.

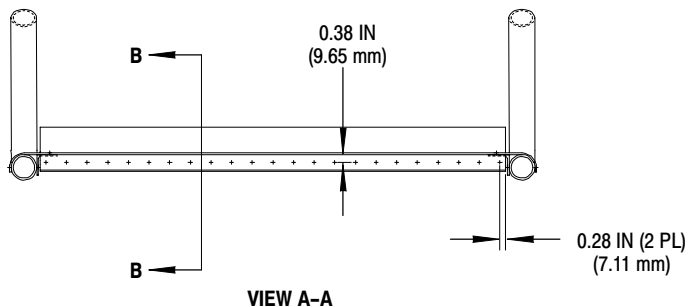
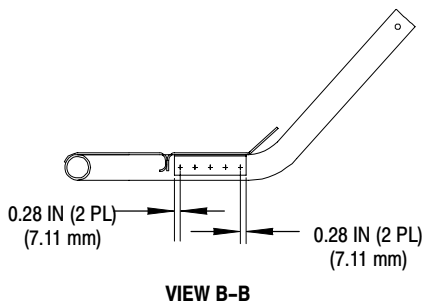
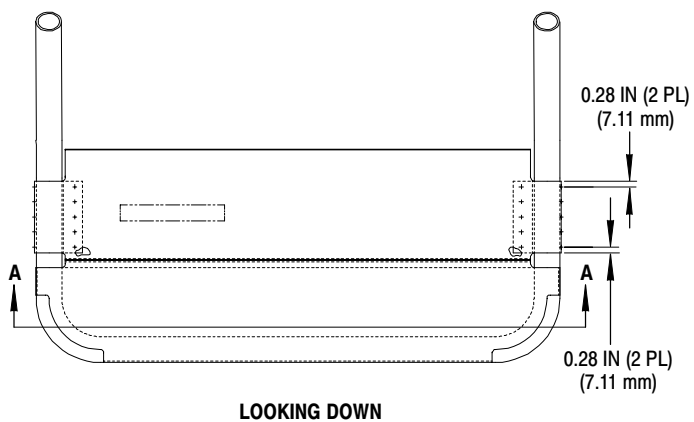
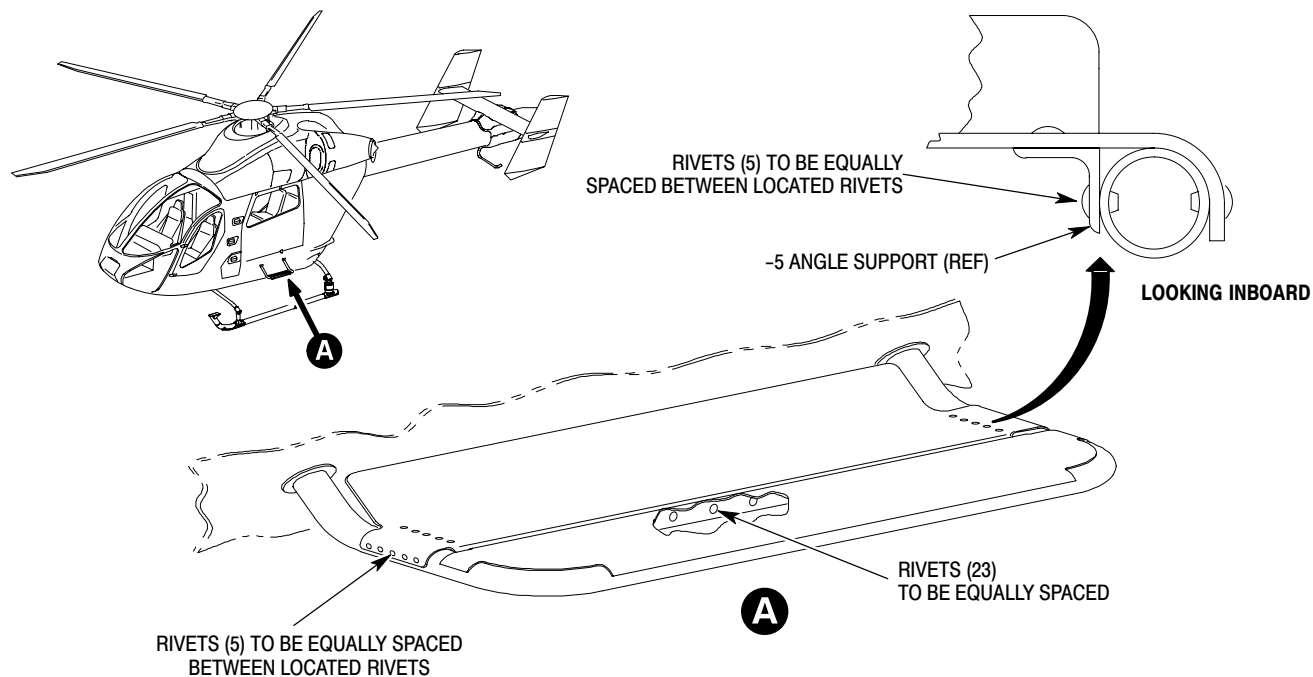
MANDATORY

SERVICE BULLETIN

DATE: 23 JULY 1997

PAGE 3 OF 3

MANDATORY **MANDATORY** **MANDATORY**



9B32-059

Figure 1. Cabin Step Modification Installation.