



TECHNICAL BULLETIN

DATE: 2 JUNE 1980
PAGE 1 OF 3

REWORK OF ONE-WAY LOCK ASSEMBLY, PN 369A7010 SERIES

1. PLANNING INFORMATION

A. MODELS AFFECTED:

500D Model 369D helicopter Serial No. 0003D through 0818D
All PN 369A7010 Series One-Way Lock Assemblies in
Spares Inventory at date of this Notice.

B. PREFACE:

This Service Information Notice lists a procedure-to seal the One-Way Lock Assembly to preclude leakage and loss of fluid from around base of bowl.

NOTE: Rapid movement of the cyclic cyclic can cause fluid to splash against and leak from under the filler cap. If a leak is suspected, clean the bowl area of the lock assembly with isopropyl alcohol and allow to set static. for several hours. Recheck and if .no leakage is evident, oil may be from splash out rather than a leak.

C. TIME OF COMPLIANCE:

At owners discretion if not already accomplished; or if bowl is leaking.

D. FAA APPROVAL:

DER/FAA APPROVED 27 May 1980

E. WEIGHT AND BALANCE:

Weight and balance not affected

F. MATERIALS:

MATERIALS	
Nomenclature	Source
No. 2216 Sealant or PR1221 Sealant	3M Co. Products Research and Chemical Corp. Glendale, CA

G. TOOLS AND EQUIPMENT:

TOOLS AND EQUIPMENT	
Nomenclature	Source
Spatula of Extrusion Gun	

H. REFERENCE:

500D Model 369D Basic HMI-Volume 1, Issued 15 September 1976; Revision No. 3, 15 March 1979

DATE: 2 JUNE 1980

PAGE 2 OF 3

TECHNICAL BULLETIN

2. REWORK PROCEDURE

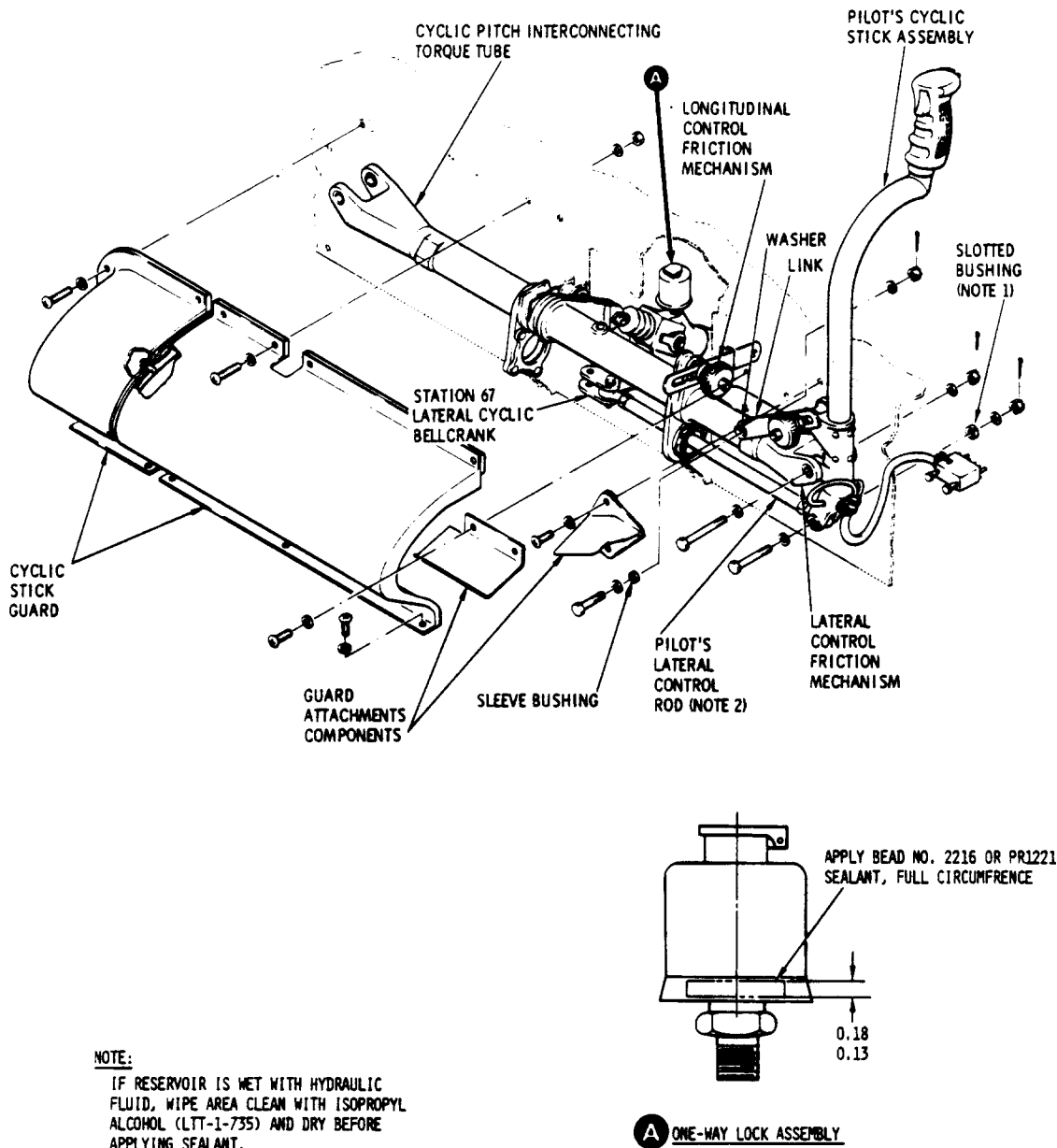
- a. Remove one-way lock from helicopter. (Refer to Section 7 of Basic HMI-Vol 1.)
- b. Prepare No. 2216 or PR1221 class B per manufacturer's instructions.
- c. Using extrusion gun or spatula, apply 0.18/0.13-inch bead of sealant full circumference between base of reservoir and bowl flange and dry per manufacturer's instructions. (See Figure 1.)

NOTE: If reservoir is wet with hydraulic fluid, wipe area clean with isopropyl alcohol (LTT-1-735) and dry before applying sealant.

- d. Reinstall one-way lock assembly in helicopter. (Refer to Section 7 of Basic HMI-Vol 1.)

TECHNICAL BULLETIN

DATE: 2 JUNE 1980
PAGE 3 OF 3



NOTE:
IF RESERVOIR IS WET WITH HYDRAULIC FLUID, WIPE AREA CLEAN WITH ISOPROPYL ALCOHOL (LTT-1-735) AND DRY BEFORE APPLYING SEALANT.

A ONE-WAY LOCK ASSEMBLY

88-387

Figure 1. Rework of One-Way Lock Assembly