



SERVICE BULLETIN

DATE: 05 MAY 1998
PAGE 1 OF 3

MANDATORY

CYCLIC CONTROL MIXER LINKS REPLACEMENT (EIGHT DEGREE PHASE SHIFT RECOVERY)

1. PLANNING INFORMATION

A. Aircraft Affected:

All McDonnell Douglas Helicopter Systems (MDHS) MD600N helicopters, serial number RN003 thru RN014 and RN016 thru RN037.

B. Assembly/Components Affected By This Notice:

369A7608-501 Link Assembly
369A7613-1 Link Assembly
369A7613-2 Link Assembly

C. Reason:

To recover the cyclic phase shift caused by adding the sixth blade to the main rotor system. Complying with the requirements of this Bulletin will result in reduced pilot workload.

D. Description:

Procedures in this Bulletin provide owners and operators with information pertaining to replacing various longitudinal and lateral mixer output links in the main rotor control system.

E. Time of Compliance

The requirements of this Bulletin shall be accomplished at the next 100 hour inspection or no later than 30 November 1998.

F. FAA Approval:

The technical design aspects of this Bulletin are FAA Approved.

G. Manpower:

2.0 man-hours.

H. Interchangeability:

None

I. Material/Part Availability:

Contact MDHS Field Service Dept.

REPLACEMENT PARTS/SUPPLIES			
Nomenclature	Part No.	Qty.	Source
Link Assembly	600N7635-1	1	MDHS
Link Assembly	600N7636-1, or -9	1	MDHS
Link Assembly	600N7636-3, or -11	1	MDHS

MANDATORY

SERVICE BULLETIN

DATE: 05 MAY 1998
PAGE 3 OF 3

MANDATORY

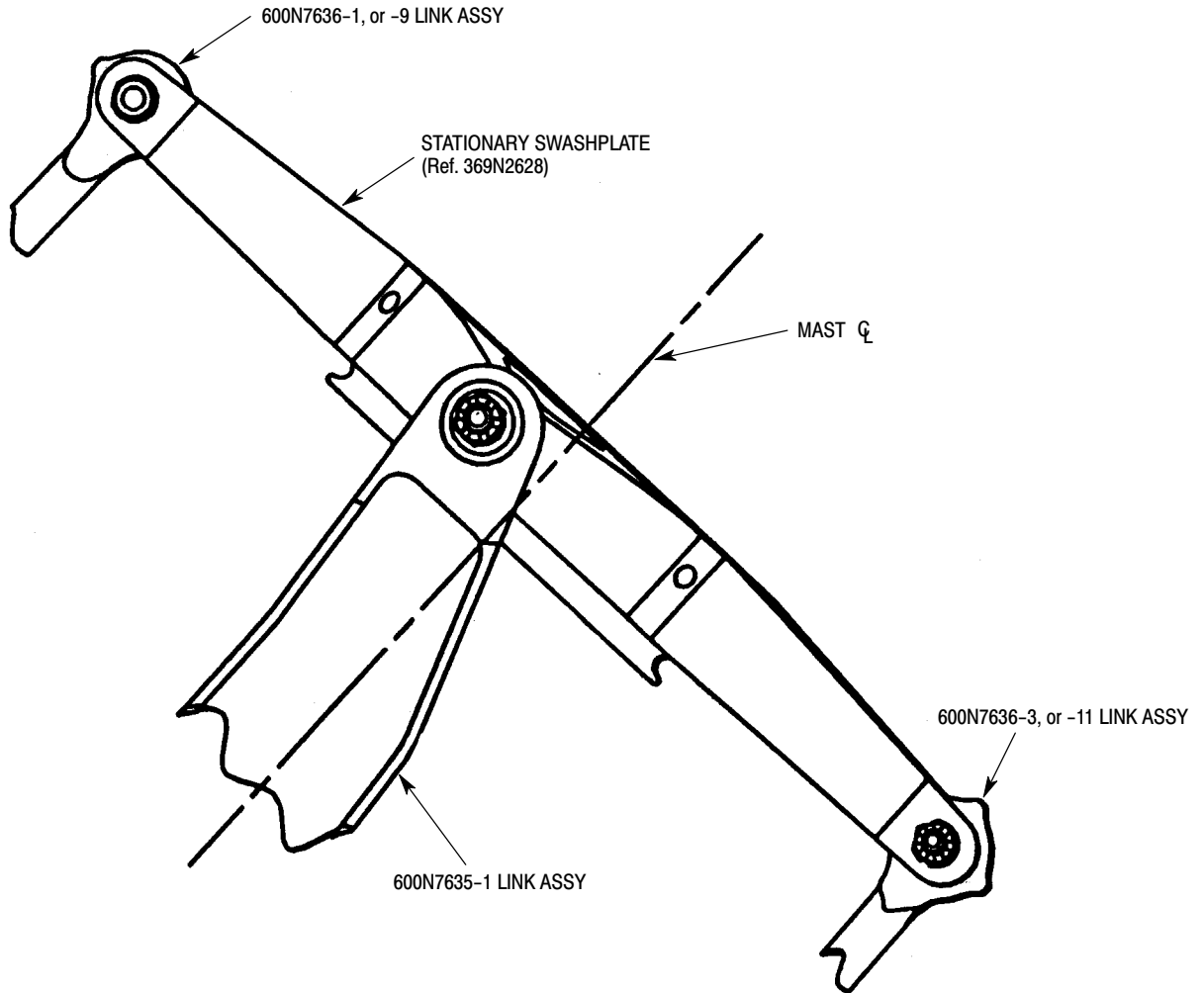


Figure 1. Cyclic Control Mixer Links Replacement.

88-758

MANDATORY