



SERVICE BULLETIN

DATE: 26 JUNE 1978

PAGE 1 OF 2

MANDATORY

SEALING – VERTICAL STABILIZER ASSEMBLY, PN 369D23600 369D23600 – 501

1. PLANNING INFORMATION:

A. Models Affected:

500D Model 369D Helicopter Serial No. 0003D thru 0286D.

B. Preface:

The information given in this Service Information Notice lists a procedure for sealing the top rib assemblies of the vertical stabilizer, to prevent water from collecting internally and freezing during cold weather operation.

C. Time of Compliance:

Shall be accomplished at next 100-hour Inspection Interval, or at next removal of horizontal stabilizer, whichever is sooner.

D. FAA Approval:

FAA APPROVED

E. Weight and Balance:

Weight and balance not affected.

F. Reference Publications:

500D Basic HMI-Vol I, Issued 15 September 1976; Revision No. 1, 15 November 1977

MATERIAL	
Nomenclature	Source
Sealing Compound (MIL-S-7502)	Product Research (PR1221B2) Burbank, CA or Coast Pro Seal (EP711) Compton, CA

2. PROCEDURE

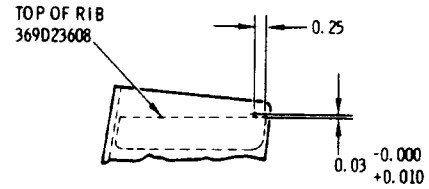
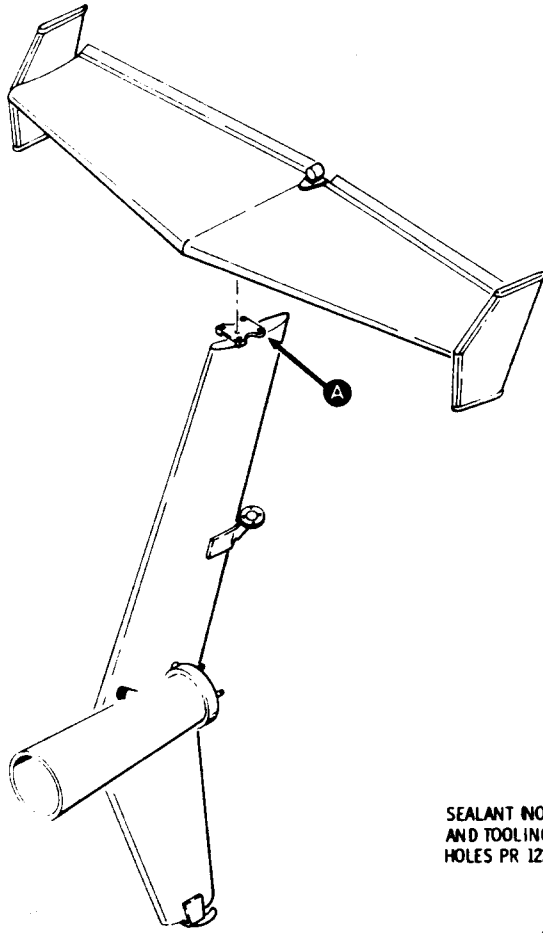
- (1). Remove horizontal stabilizer, per Basic HMI - Vol I; inspect top of vertical stabilizer for water accumulation.
- (2). Apply 0.030/0.040-inch bead of sealant around outer perimeter of top rib assemblies and at attach fitting, as shown in Figure 1. Also apply sealant around electrical conduit and seal over tooling holes. Do not seal drain holes.
- (3). Reinstall horizontal stabilizer, per Basic HMI - Vol I.

MANDATORY

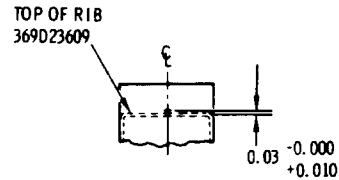
DATE: 26 JUNE 1978
PAGE 2 OF 2

SERVICE BULLETIN

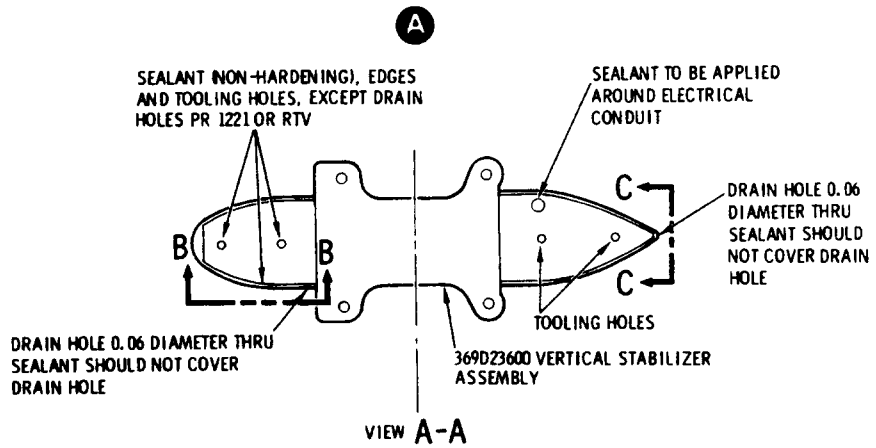
MANDATORY



VIEW B-B

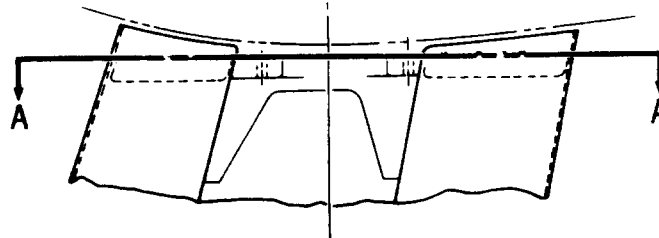


VIEW C-C



VIEW A-A

NOTE:
ALL DIMENSIONS IN INCHES.



88-251A

Figure 1. Sealing - Stabilizer Assembly

Copyright 1999-2000 by MD Helicopters Inc. This document may be reproduced and distributed provided no fee is charged, the text is not modified, and this copyright notice is included.

MANDATORY