



SERVICE LETTER

DATE: 10 DECEMBER 1979

PAGE 1 OF 3

NEW COMFORT CLIPS FOR SEAT BELT AND SHOULDER HARNESS ASSEMBLIES, PN 369H6541, 369H6541-21, 369H6541-23, AND 369H6541-25

TO: All owners and operators of Hughes Helicopters

MODELS AFFECTED:

500D Model 369D Helicopter Serial No. 0003D thru 0604D

Reference

369D Series - Basic HMI Volume I, issued 15 September 1976

A new comfort clip (PN E3403) designed to maintain proper strap tension, and relieve excessive pressure of the inertia reel shoulder harness on the pilot or passenger during flight, is now available for the above affected helicopters equipped with Sam Browns seat belt assemblies,

After each seat belt and shoulder harness assembly is fastened and adjusted for individual comfort and safety, the comfort clip is moved from its original position next to the buckle and relocated by sliding up on the harness strap as close as possible to the inertia reel (see Figure 1). The clip prevents any further retraction of the strap into the inertia reel, thus keeping a constant yet comfortable tension of the harness strap against the pilot or passenger. After each flight, the comfort clip is to be returned to its original location on the harness strap next to the buckle.

The comfort clips may be obtained without charge by contacting your authorized HH Service Center. Please order by helicopter Serial Number; and specify four PN E3403 comfort clips and three PN 369D24042-3 decals for each helicopter. Hughes Service Centers may procure the comfort clips by contacting Warranty and Repair.

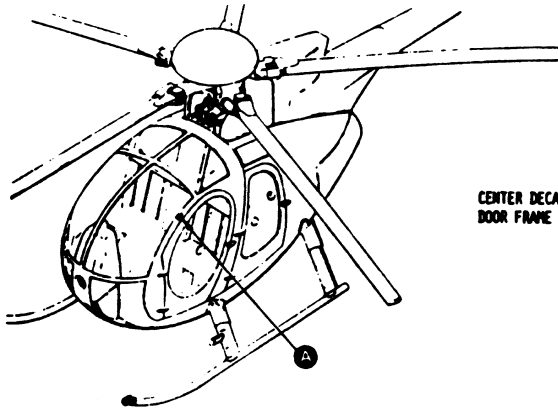
Edward Koch, Manager
Customer Service Department
Hughes Helicopters

LETTER NO. DL-21

DATE: 10 December 1979



PAGE: 2 of 3



CENTER DECAL BETWEEN END OF
DOOR FRAME PANEL AND FIRST SCREW.

DECAL

A

VIEW LOOKING OUTBOARD
FROM $\frac{1}{2}$ OF SHIP
TO LH SIDE

TO APPLY DECAL:

1. CLEAN DOOR FRAME AREA WHERE DECALS ARE TO BE APPLIED. DECALS WILL NOT ADHERE TO A GREASY OR SOAPY FILM.
2. MARK LOCATION OF DECAL PER THE ILLUSTRATION. REPEAT ON THE OTHER DOOR FRAME.
3. PEEL BACKING OFF DECAL AND POSITION. USE A CLOTH TO SQUEEZE ALL BUBBLES FROM UNDER THE DECAL, WORKING FROM THE CENTER OUTWARD. REPEAT ON THE OTHER DOOR FRAME.

(NOTE 2)

(NOTE 1)

B

COMFORT CLIP INSTALLATIONTO INSTALL COMFORT CLIP:

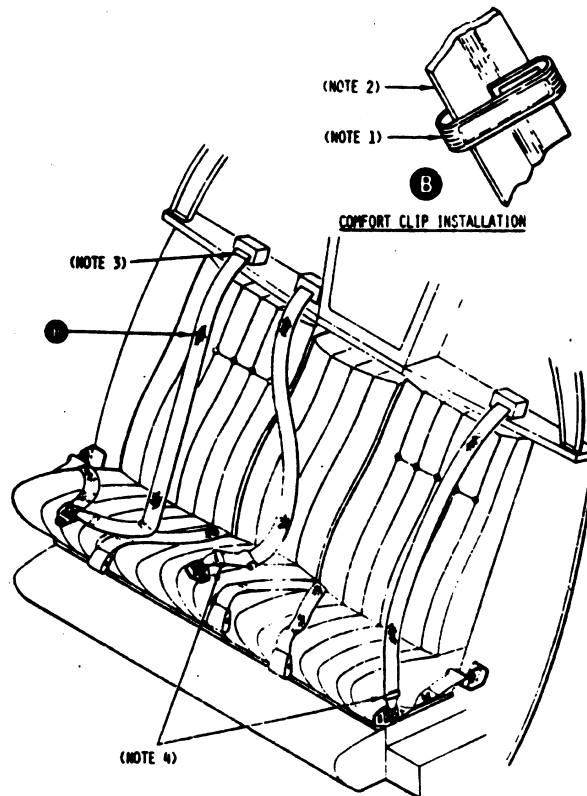
1. PRY OPEN SLOT ON UNDERSIDE OF CLIP.
2. INSERT HARNESS STRAP IN SLOT.

AFTER SEAT BELT AND SHOULDER HARNESS ASSEMBLY IS FASTENED AND ADJUSTED FOR INDIVIDUAL COMFORT AND SAFETY:

3. SLIDE COMFORT CLIP UP ON HARNESS STRAP AND POSITION AS CLOSE AS POSSIBLE NEXT TO INERTIA REEL.

AFTER EACH FLIGHT:

4. REPOSITION COMFORT CLIP ON HARNESS STRAP AT ORIGINAL POSITION NEXT TO BUCKLE.



88-2188

Figure 1. Comfort Clip Decal Application
And Clip Installation Instructions

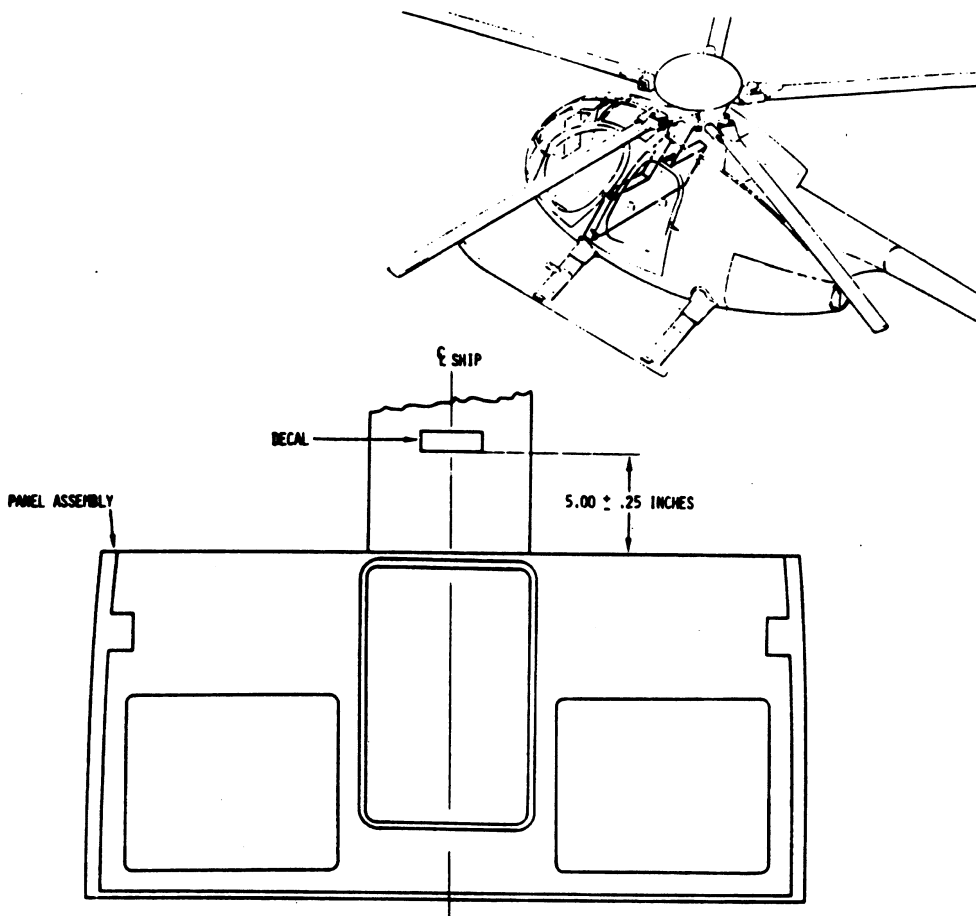


Hughes Helicopters, Inc.

LETTER NO. DL-21

DATE: 10 December 1979

PAGE: 3 of 3



TO APPLY DECAL:

1. CLEAN PANEL AREA WHERE DECAL IS TO BE APPLIED. DECAL WILL NOT ADHERE TO A GREASY OR SOAPY FILM.
2. MARK LOCATION OF DECAL PER THE ILLUSTRATION.
3. PEEL BACKING OFF DECAL AND POSITION. USE A CLOTH TO SQUEEZE ALL BUBBLES FROM UNDER THE DECAL, WORKING FROM THE CENTER OUTWARD.

88-360

Figure 2. Comfort Clip Decal Application - Rear Seat