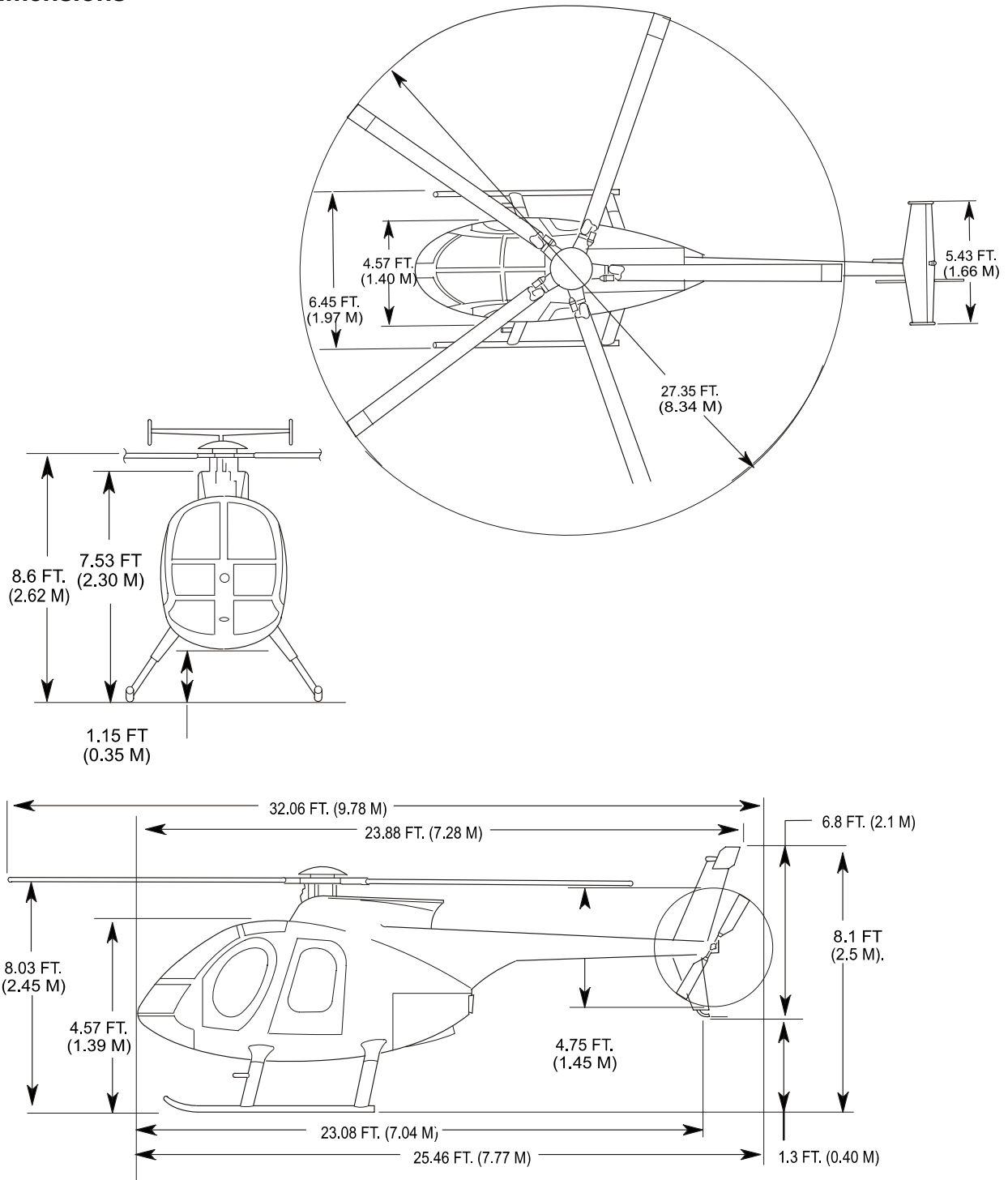


# MD530F<sup>®</sup>

## DIMENSIONS

### 6.1 Dimensions



### NOTES

1. Helicopter on ground with full fuel. Typical attitude of cargo deck 5.3 degrees nose up.
2. Height-above-ground dimensions vary with installed equipment, center of gravity and terrain features.
3. If standard landing gear is installed, all vertical dimensions will be 0.3 m (1.0 ft) less.